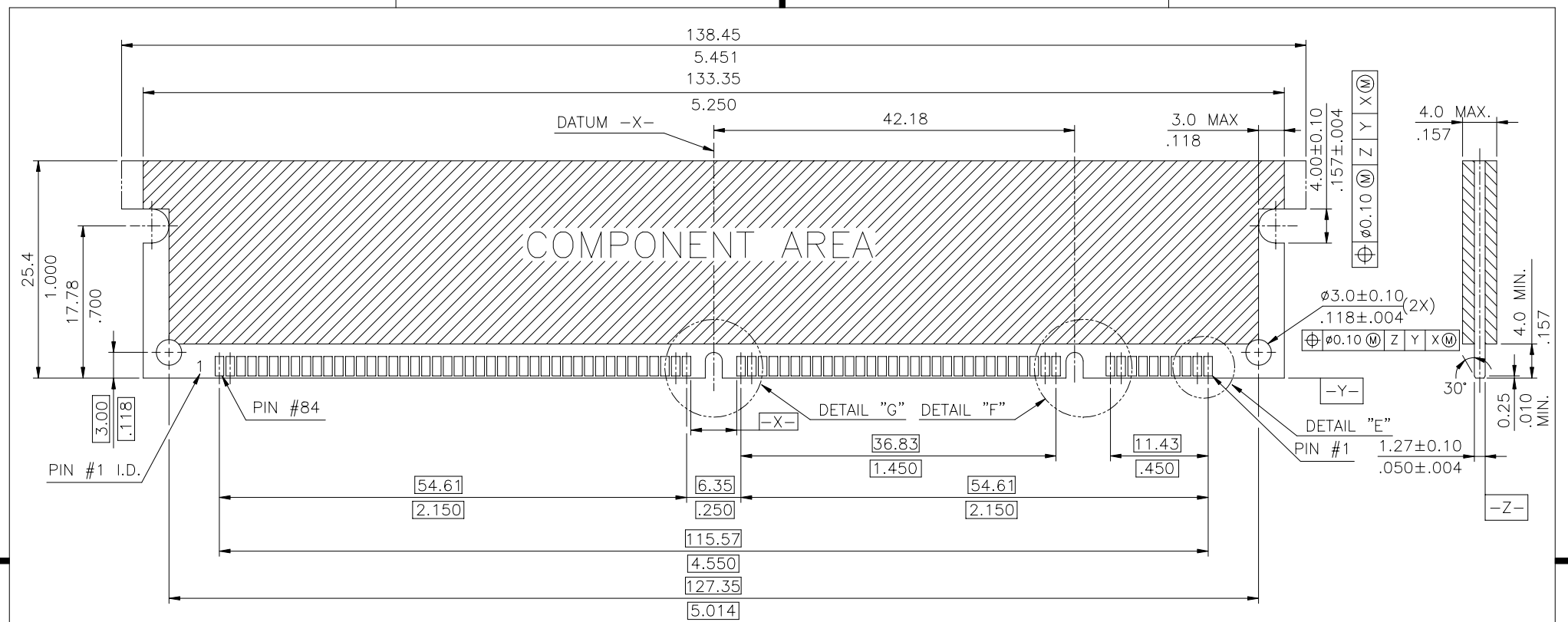


- NOTE:
- MATERIAL:
HOUSING: LIQUID CRYSTAL POLYMER OR OTHER HIGH PERFORMANCE RESINS, GLASS FILLED UL94V-0 RATED, COLOR BLACK.
EJECTOR: LIQUID CRYSTAL POLYMER OR OTHER HIGH PERFORMANCE RESINS, GLASS FILLED UL94V-0 RATED, COLOR NATURAL.
TAIL GUIDE: LIQUID CRYSTAL POLYMER OR OTHER HIGH PERFORMANCE RESINS, GLASS FILLED UL94V-0 RATED, COLOR BLACK.
TERMINAL: PHOSPHOR BRONZE.
METAL CLIP: PHOSPHOR BRONZE.
 - BERG LOGO TO BE APPROXIMATELY LOCATED AS SHOWN ON PRINT.
 - PRODUCT SPECIFICATION: GS-12-066.
THE DATE CODE IS SHOWN "MM-DD-YY".

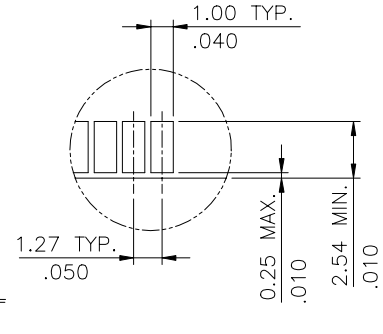
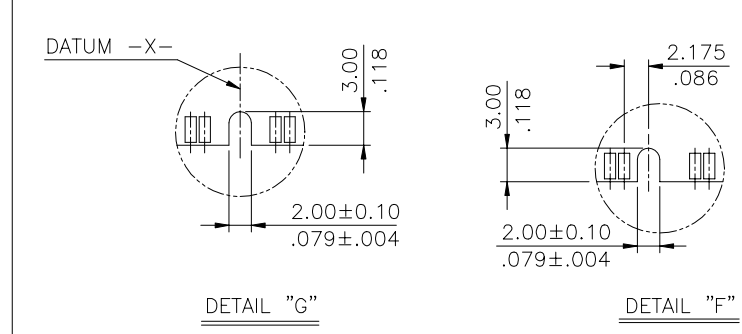
mat'l. code				tolerances unless otherwise specified			CUSTOMER COPY		FCI		www.fciconnect.com	
ltr	ecn no	dr	date	linear	.X ±0.38/.015	projection	title					
A	T00053	M W	03/08/00		.XX ±0.25/.010		DIMM, .050" 1-ROW, 168P R/A ASS'Y METAL CLIP					
B	T03-0194	M W	05/23/03		.XXX ±0.13/.005							
C	T04-0078	M W	02/23/04	angles	0° ±2°		product family		DIMM		code	
D	T04-0119	M W	03/11/04	dr	MAGGIE WU 03/08/00		size		dwg no		-	
E	T04-0145	M W	04/08/04	enr	GARY TANG 03/08/00	scale		A4		52490	sheet	
				chr	GARY TANG 03/08/00	1:1					1 of 4	
				appd	JENN TSAO 03/08/00							
sheet index	revision sheet	E 1	B 2	B 3	E 4							

Tous droits strictement réservés. Reproduction ou communication a des tiers interdite sous quelque forme que ce soit sans autorisation écrite du propriétaire. Propriete de c FCI. Droits de reproduction FCI.

All rights strictly reserved. Reproduction or issue to third parties in any form whatever is not permitted without written authority from the proprietor. Property of FCI. Copyright FCI.

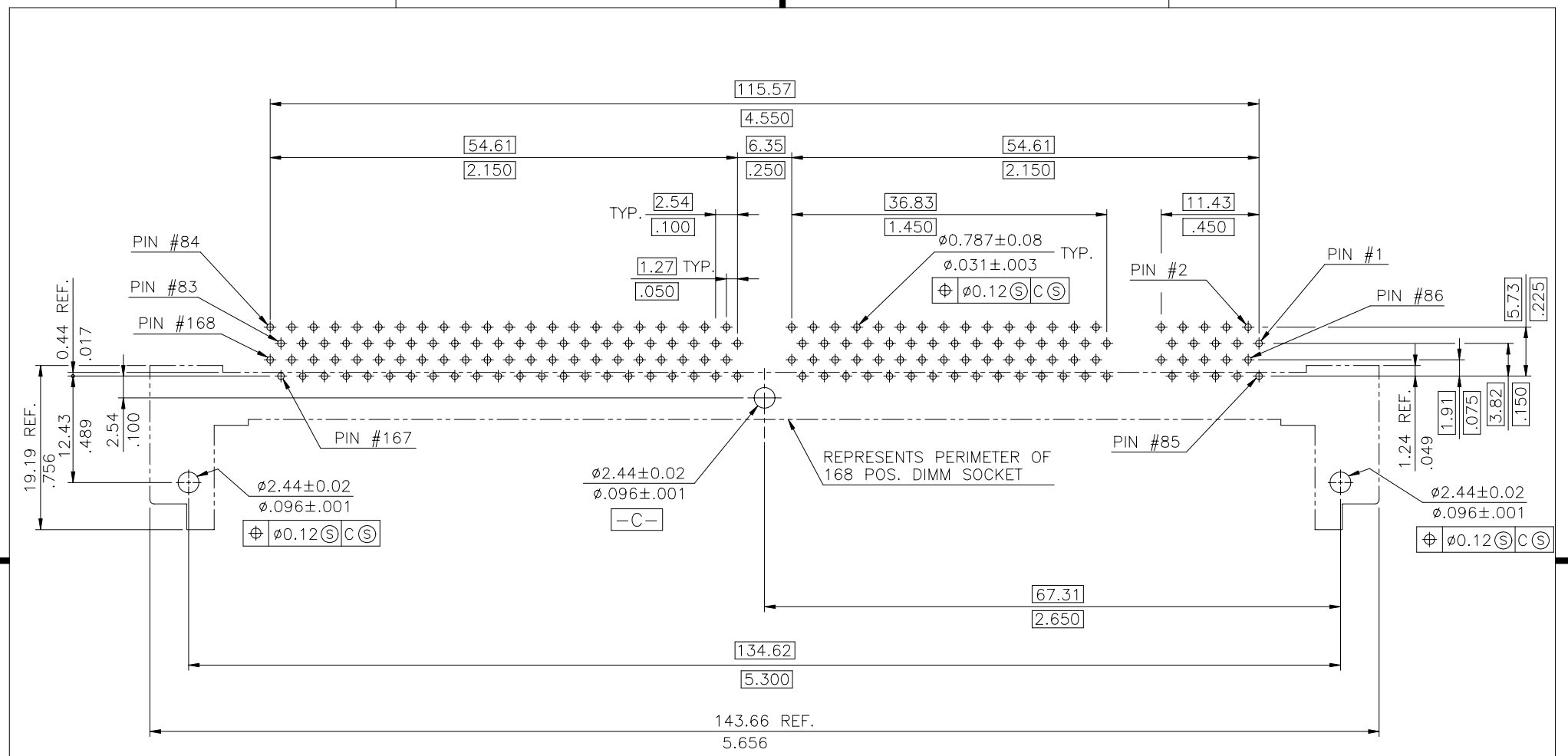


RECOMMENDED MODULE LAYOUT



CONFIDENTIAL

mat'l. code				tolerances unless otherwise specified		CUSTOMER COPY		 www.fciconnect.com	
ltr	ecn no	dr	date	linear	.X ± 0.38 / .015	projection		title	
B					.XX ± 0.25 / .010			DIMM, .050" 1-ROW, 168P R/A ASS'Y METAL CLIP	
				angles	.XXX ± 0.13 / .005	 MM	 1.5:1	product family	
				dr	0° ± 2°			DIMM	
				enr	MAGGIE WU 03/08/00	size		dwg no	
				chr	GARY TANG 03/08/00	A4		52490	
				appd	JENN TSAO 03/08/00	sheet		2 of	
sheet index	revision sheet								



RECOMMENDED CIRCUIT BOARD HOLE LAYOUT

CONFIDENTIAL

mat'l. code				tolerances unless otherwise specified		CUSTOMER COPY		 www.fciconnect.com		
ltr	ecn no	dr	date	linear	.X ±0.38/.015	projection	title			
B					.XX ±0.25/.010			DIMM, .050" 1-ROW, 168P		
					.XXX ±0.13/.005			R/A ASS'Y METAL CLIP		
				angles	0° ±2°	 MM	product family		code	
				dr	MAGGIE WU 03/08/00		DIMM		-	
				enr	GARY TANG 03/08/00	scale	size		sheet	
				chr	GARY TANG 03/08/00		dwg no		3 of	
				appd	JENN TSAO 03/08/00		A4		52490	
sheet index	revision sheet							cage code		

Tous droits strictement reserves. Reproduction ou communication a des tiers interdite sous quelque forme que ce soit sans autorisation ecrite du proprietaire. Propriete de c FCI. Droits de reproduction FCI.



All rights strictly reserved. Reproduction or issue to third parties in any form whatever is not permitted without written authority from the proprietor. Property of FCI. Copyright FCI.

52490 - □ □ □ □ □

STYLE

6 : FOR UNBUFFERED DRAM, SYNC DRAM, REGISTERED SDRAM, 3.3 VOLT.

PEG TYPE

1 : WITH METAL CLIP + DIM."D"= 3.85 ± 0.25

TAIL LENGTH

CODE	DIM. "B"±0.25	DIM. "C"±0.25
1	3.30	3.15

PLATING

CODE	CONTACT	SOLDERTAIL	UNDERPLATE
2	15μ"(0.38μm) MIN. GOLD	100μ"(2.54μm) MIN. TIN/LEAD	50μ" (1.27μm) MIN. NICKEL OVERALL
2F	15μ"(0.38μm) MIN. GOLD	100μ"(2.54μm) MIN. 100% TIN	

COLOR OF HOUSING AND EJECTOR

0 : BLACK HOUSING + IVORY EJECTOR + BLACK TAIL GUIDE

PROD. NO.	DIM."B"	DIM."C"	DIM."D"	HSG COLOR	EJECTOR COLOR	TAIL GUIDE COLOR	STYLE
52490-61102	3.30	3.15	3.85	BLACK	IVORY	BLACK	FOR UNBUFFERED DRAM, SYNC DRAM, REGISTERED SDRAM, 3.3 VOLT.

CONFIDENTIAL

mat'l. code				tolerances unless otherwise specified		CUSTOMER COPY		 www.fciconnect.com		
ltr	ecn no	dr	date	linear	.X ±0.38/.015	projection	title			
E					.XX ±0.25/.010			DIMM, .050" 1-ROW, 168P R/A ASS'Y METAL CLIP		
				angles	.XXX ±0.13/.005			product family		code
				dr	0° ±2°		scale	DIMM		-
				enr	MAGGIE WU 03/08/00	1:1		size		sheet
				chr	GARY TANG 03/08/00			52490		4 of
				appd	GARY TANG 03/08/00					
					JENN TSAO 03/08/00					
sheet index	revision sheet									